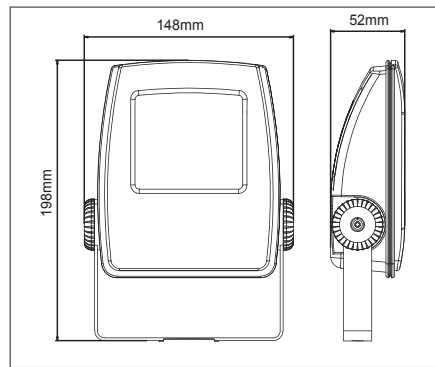


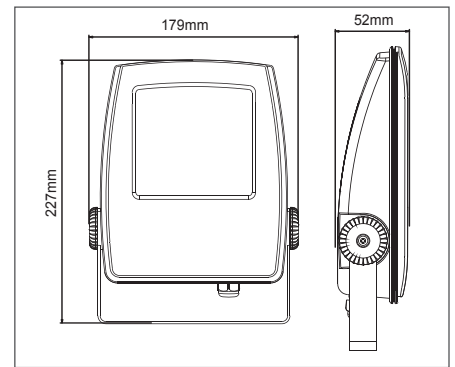


## LED FLOOD LIGHTS

- Input voltage: 180-250V 50/60Hz
- Material: PC body & aluminium bracket
- Wattage: 15W & 30W
- Hongli 2835 LED chips
- Power factor:  $\geq 0.9$
- Ambient temp:  $-20$  to  $+40^{\circ}\text{C}$
- IP65 rated
- Not suitable for dimming
- Suitable for 2-way switching
- Suitable for use with Microwave & PIR sensors



**FLOOD15**



**FLOOD16**

PART NO.	DESCRIPTION	KELVIN (K)	LUMENS (LM)	WATT (W)	CRI	WEIGHT (kg)	BOX (cm)	CARTON QTY
FLOOD15	FLOOD LED BLK P/C (aluminum bracket) 15W 5000K	5000	1200	15	80	0.5	34.5x33x24.5	1/10
FLOOD16	FLOOD LED BLK P/C (aluminum bracket) 30W 5000K	5000	2200	30	80	0.8	50x34.5x25.5	1/10